

Since the usage and finishing of the product is not under our control, we accept no liability for the success of the work and can therefore only guarantee the nature of our products as per the accompanying product data sheets and in accordance with our general terms and conditions of sale. The properties listed here represent no guarantee with respect to the eventual use of our products. We reserve the right to make changes due to technical advances. Any other technical information given in the course of a consultation must be confirmed in writing. Colours shown here are restricted by the printing techniques and may differ from those exhibited by the products themselves. We also reserve the right to make alterations to the product technology or design. Only the current version of this data sheet is valid. Such versions are accessible by anyone via the internet. The issue of the latest data sheet invalidates all those that have been published beforehand.

DURAFLEX

1/2

Expansion joint profiles for retail outlets or warehouses – Serie SB, SC

- Information Sheet -

DURAL



APPLICATION:

Dural's flexible DURAFLEX SB, SC expansion joint profiles are manufactured for use in busy locations. They are highly resistant to wear and can be easily employed in retail outlets, warehouses or factories. The visible surface of the profile is 37 mm in the standard version and 45 mm in the reinforced version. Loads acting at a point are evenly distributed through the covering and the bedding via the inlay.

The profiles are available from stock for heights from 15–50 mm (SB) and 35–90 mm (SC). Greater heights are available on request. The aluminium profiles at the sides are bonded to a thermoplastic elastomer (EPDM) rail that is easily replaced. The specially developed inlay absorbs shocks and reduces the sound of footfall.

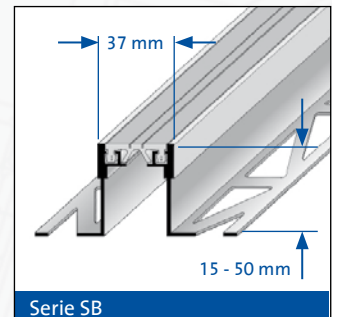
DURAFLEX SB, SC aluminium profiles can also be used for walls and ceilings.

MATERIAL:

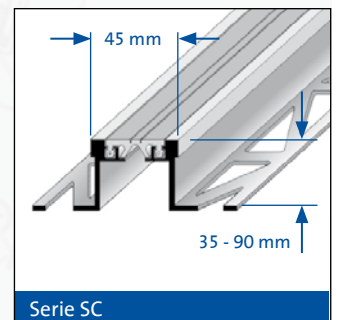
Flexible DURAFLEX expansion joint profiles consist of an aluminium girder section with a thermoplastic elastomer (EPDM) inlay. They are available in black or grey.

PROPERTIES:

Flexible DURAFLEX aluminium expansion-joint profiles may be used in all sorts of locations where no unusual chemical reactions are to be expected. In order, to avoid corrosion, cement should be handled with care. Since aluminium is susceptible to alkaline materials, mortar residues, tile adhesive or grout should be wiped immediately from all visible surfaces. The profile needs to be fully embedded in the contact layer. This avoids the creation of cavities where alkaline water might collect.



Serie SB



Serie SC

DURAL GmbH

Südring 11

D-56412 Ruppach-Goldhausen

Tel. +49 (0) 2602/9261-0

Fax +49 (0) 2602/9261-50

info@dural.com

Expansion joint profiles for retail outlets or warehouses – Serie SB, SC

- Information Sheet -

The thermoplastic elastomer inlay is resistant to weather and signs of age. The inlay is not subject to cracking as a result of UV light or ozone. The material can withstand a temperature range of – 60° to +100°C. The inlay can be extended (by welding) to any length.

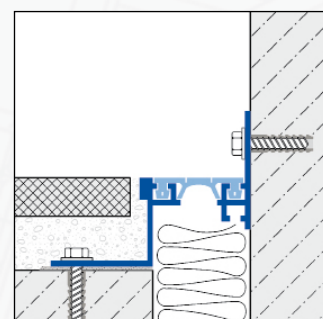
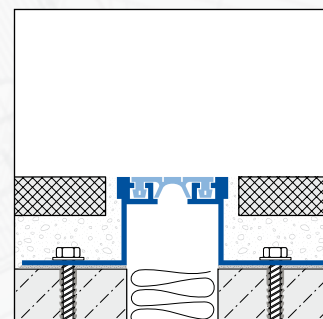
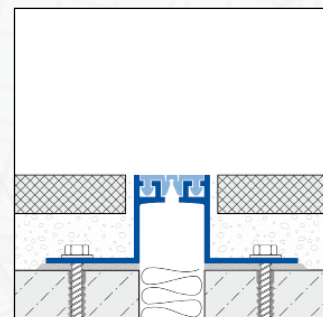
For all products and materials, the following applies: The suitability of the material with regard to the expected mechanical loading and chemical exposure must be investigated carefully in each individual case. The generally recognised rules of good engineering practice must always be observed!

INSTALLATION:

1. DURAFLEX flexible expansion joint profiles should be selected according to the tile thickness.
2. Tile adhesive should be applied to the edges with a toothed trowel.
3. Press the DURAFLEX profiles into the adhesive bedding and align them. Expansion joints should be fully surrounded by the bedding.
4. Securing brackets should be completely covered over with adhesive.
5. Firmly press in the tiles and align them so that they are flush with the upper edge of the profile. Lay tiles so that they are fully tessellated.
6. Allow a 2-mm gap around the profile.
7. Completely fill the gap between tiles and profile with grout.

MAINTENANCE:

DURAFLEX profiles do not require any special maintenance. They are resistant to fungus and bacteria. They may be cleaned using ordinary cleaning materials. Cleaning materials may not contain hydrochloric or hydrofluoric acid and may not cause abrasion. The flexible joint can easily be replaced in the event of damage.



PRODUCT DATA:

MATERIAL:	Aluminium
INLAY / COLOUR:	EPDM black / grey
HEIGHT:	SB: 15 / 35 / 40 / 50 mm • SC: 35 / 40 / 50 / 70 / 80 / 90 mm
VISIBLE WIDTH:	SB: 37 mm • SC: 45 mm
JOINT WIDTH:	max. 33 mm
LENGTH:	SB: 250 cm • SC: 300 cm

DURAL GmbH

Südring 11

D-56412 Ruppach-Goldhausen

Tel. +49 (0) 2602/9261-0

Fax +49 (0) 2602/9261-50

info@dural.com