

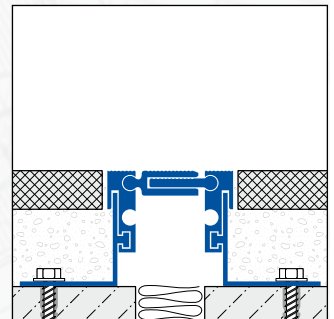
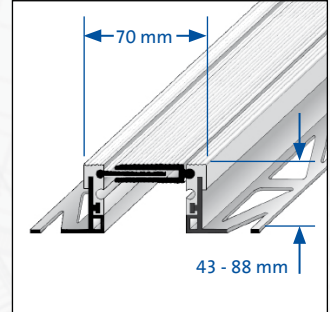
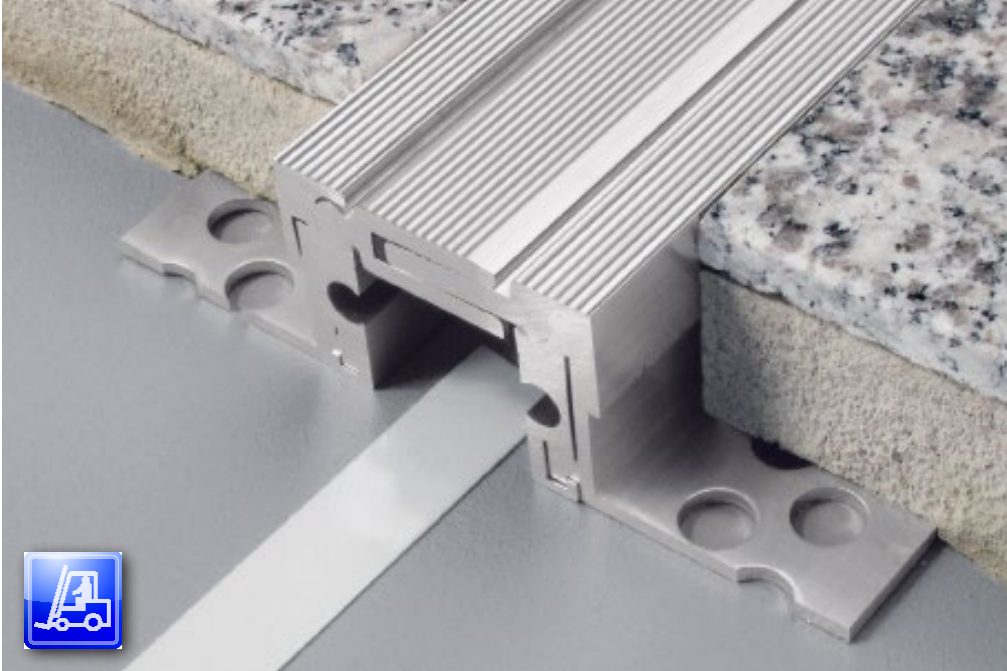
Since the usage and finishing of the product is not under our control, we accept no liability for the success of the work and can therefore only guarantee the nature of our products as per the accompanying product data sheets and in accordance with our general terms and conditions of sale. The properties listed here represent no guarantee with respect to the eventual use of our products. We reserve the right to make changes due to technical advances. Any other technical information given in the course of a consultation must be confirmed in writing. Colours shown here are restricted by the printing techniques and may differ from those exhibited by the products themselves. We also reserve the right to make alterations to the product technology or design. Only the current version of this data sheet is valid. Such versions are accessible by anyone via the internet. The issue of the latest data sheet invalidates all those that have been published beforehand.

DURAFLEX

1/2

Solid aluminium heavy-duty loading profile for thick-bed installation – SE series

- Information Sheet -



APPLICATION:

An extremely sturdy and stable expansion joint profile for heavy loading areas in solid aluminium and available in a range of different heights. Suitable for all flooring surfaces such as screed, natural stone, artificial stone and ceramic tiles.

DURAFLEX SE is ideal for use in logistics centres, warehouses and production facilities which are subject to frequent heavy loads or movements.

This heavy-duty loading profile is installed for the safe load bearing and absorption of horizontal and vertical movements.

The following information is applicable to all products/materials: the suitability of the profile with respect to mechanical and chemical loads must be checked carefully in each individual installation case. The generally accepted regulations of technology and good engineering practice must always be observed.

Surface:	Anti-slip / grooved
Movement absorption:	10 mm (+/- 5 mm)
For joint widths up to:	50 mm
Load:	Forklift = 70 KN HGV = 90 KN
Profile fixing:	Professional anchoring at intervals of around 30 cm
Deformation absorption from the sub-surface:	Horizontal and vertical

DURAL GmbH
 Südring 11
 D-56412 Ruppach-Goldhausen
 Tel. +49 (0) 2602/9261-0
 Fax +49 (0) 2602/9261-50
 info@dural.com

Solid aluminium heavy-duty loading profile for thick-bed installation – SE series

- Information Sheet -

PROCESSING:

The following points must be taken into account when selecting the profile:

1. Assumption of the same joint width as the sub-surface
2. Vibration-free bearing of the profile on the sub-surface. If necessary, provide stabilising support across the entire surface using cement or epoxy resin mortar
3. The profile edges must be adequately and firmly anchored as required using reaction anchors or Zykon anchors (e.g. Fischer) approx. every 30 cm
4. Cement and compress the support profile across its entire surface
5. Press the tiles down firmly and align them to produce a flush border with the profile upper edge. Use the solid bed procedure to embed the tiles thoroughly
6. Leave a joint of 2 mm between profile and tile
7. Completely fill the connection joint between the tiles and the profile with grout.

CARE:

DURAFLEX expansion joint profiles do not require any special care. Use non-abrasive detergents which are free from hydrochloric or fluoric acids. Use neutral detergents only. Never use cleaning products which contain acids or alkali.

PRODUCT DATA:

MATERIAL:	Aluminium natural
HEIGHT:	43 / 48 / 58 / 63 / 68 / 88 mm
VISIBLE WIDTH:	70 mm
JOINT WIDTH:	bis 50 mm
PROFILE LENGTH:	400 cm

DURAL GmbH
Südring 11
D-56412 Ruppach-Goldhausen
Tel. +49 (0) 2602/9261-0
Fax +49 (0) 2602/9261-50
info@dural.com