

Stainless steel expansion joint profiles – Serie SG

- Information Sheet -

DURAL



Oils, fat,
mineral oils

APPLICATION:

Dural's flexible DURAFLEX stainless steel expansion-joint profiles have been specially developed for use in highly demanding locations where resistance against corrosive substances is required. They are resistant to great stresses and can be used in retail outlets, warehouses or factories, hospitals etc. The visible surface of the profiles is either 34 mm. Loads acting at a point are evenly distributed through the covering and the bedding via the overlay.

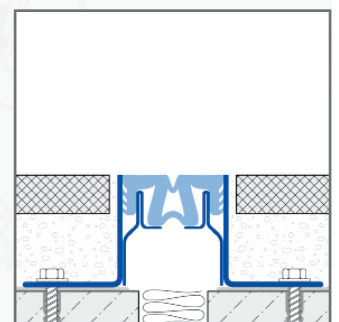
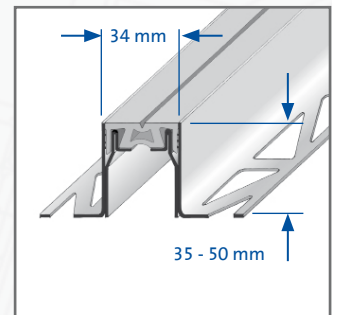
MATERIAL:

The steel profiles at the sides are bonded with a special elastic inlay that absorbs impacts and the sound of footfall. Flexible DURAFLEX expansion joint profiles consist of a stainless steel girder section with a nitril rubber inlay that can be easily replaced. The materials are resistant to corrosive substances.

PROPERTIES:

DURAFLEX expansion-joint profiles are suitable for all floor coverings (screed, natural stone, concrete etc.) and can be used anywhere. The profile must be completely embedded in the contact layer.

For all products and materials, the following applies: The suitability of the material with regard to the expected mechanical loading and chemical exposure must be investigated carefully in each individual case. The generally recognised rules of good engineering practice must always be observed!



DURAL GmbH

Südring 11

D-56412 Ruppach-Goldhausen

Tel. +49 (0) 2602/9261-0

Fax +49 (0) 2602/9261-50

info@dural.com

Stainless steel expansion joint profiles – Serie SG

- Information Sheet -

INSTALLATION:

The following should be considered when choosing profiles:

1. Use the same joint width as in the bedding.
2. The joint must be flawless. If necessary, polish up the edges.
3. The stainless steel surface must be cleaned and any grease removed by the installer.
4. The profile should be placed on the bedding so that it is free of vibrations, if necessary using full surface lining using artificial mortar and spacers made of metal or similar.
5. The profile edges must be anchored sufficiently and firmly using reaction anchors or Zykon anchors (e.g. from Fischer) approximately every 30 cm.
6. Allow enough space between the edge of the profile and the edge of the joint.
7. Press in tiles firmly and align them so that they are flush with the upper edge of the profile. Lay tiles so that they are fully tessellated.
8. Allow a 2-mm gap around the profile.

MAINTENANCE:

DURAFLEX expansion-joint profiles do not require any special maintenance. They are resistant to fungus and bacteria. Cleaning occurs “automatically” when the tiles are cleaned. Cleaning materials may not contain hydrochloric or hydrofluoric acid and may not cause abrasion.

PRODUCT DATA:

MATERIAL:	Stainless steel (V2A, 304)
INLAY / COLOUR:	Nitril rubber, black
HEIGHT:	35 / 50 mm
VISIBLE WIDTH:	34 mm
JOINT WIDTH:	max. 31 mm
LENGTH:	300 cm

DURAL GmbH
Südring 11
D-56412 Ruppach-Goldhausen
Tel. +49 (0) 2602/9261-0
Fax +49 (0) 2602/9261-50
info@dural.com